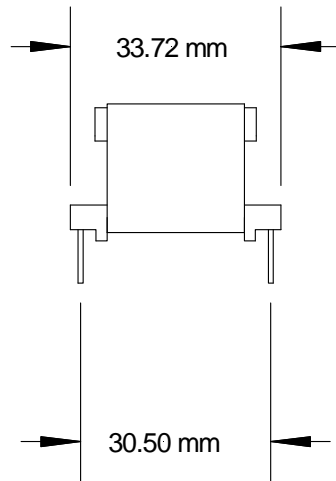
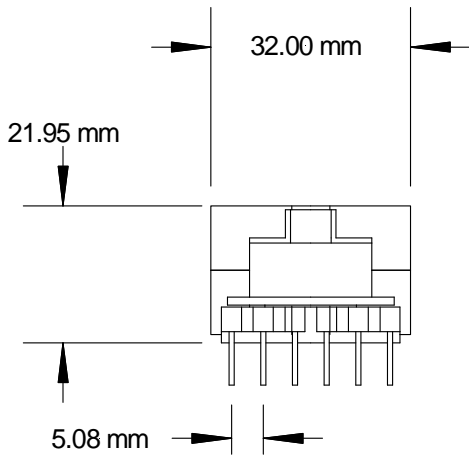
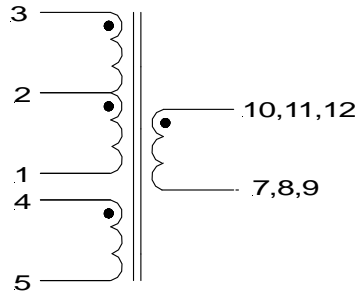
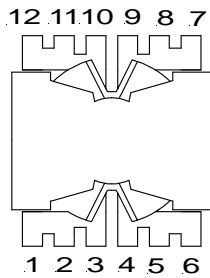


PRELIMINARY



Electrical Specifications @ 25°C unless noted otherwise

Parameters	Value	Notes
Inductance (μH)	558 - 642	1 - 3 @ 1V, 10kHz,
Dielectric (VAC)	3000	3,4 to 10,11,12 @ 1mA, 60Hz, 1s



Specifications subject to change without notice.
Dimensions are in inches, metric in [].
Label shown is only for illustrative purposes only.