

EFD Power Switchmode Transformers

Features:

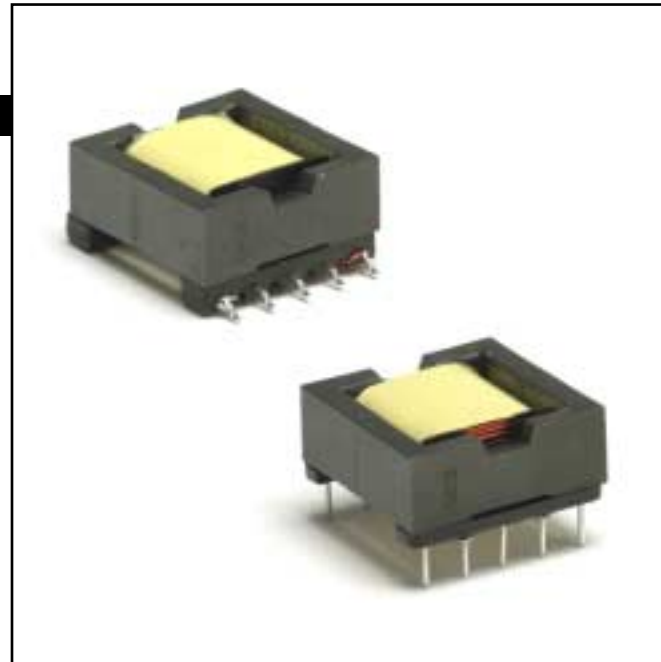
- IEC spacing compatible
- Low profile
- Thru hole and surface mount available
- Low leakage inductance designs

Preferred Parts:

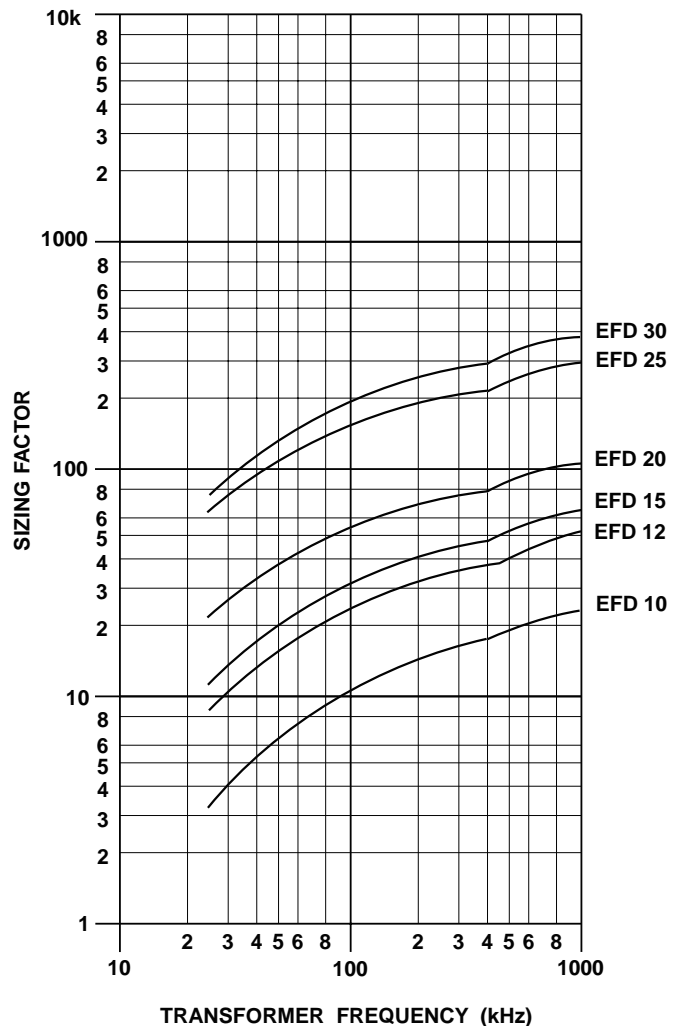
- EFDSPXX and EFDSTMXX are preferred parts

How to choose your model:

- Use the "sizing factor" previously calculated and the frequency to locate a point on the chart.
- Choose the model # whose line is above the located point.
- Note: During the design process, the actual sizing factor may vary from the assumptions used here.



EFD STYLE



EFD Power Switchmode Transformers

Figure 1:

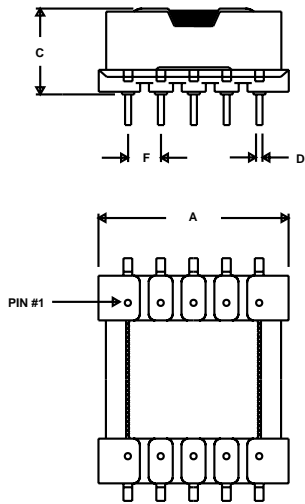


Figure 2:

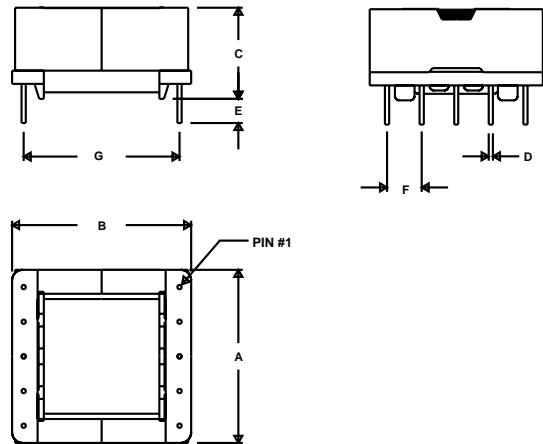
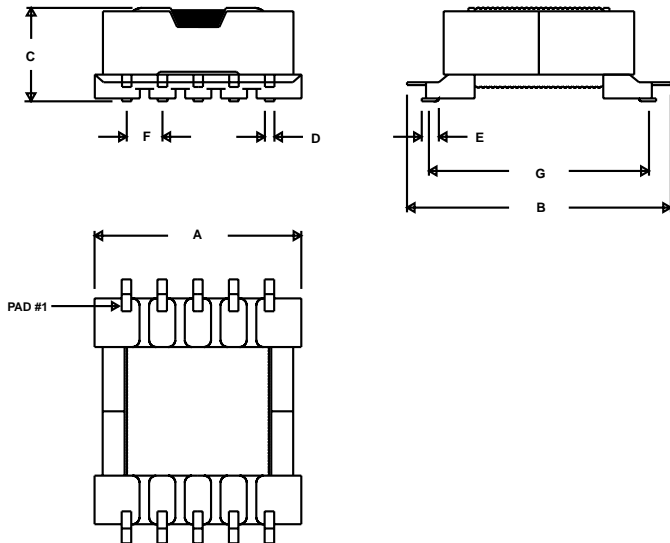


Figure 3:



Pin numbering is clockwise looking at bottom view of component

EFD Power Switchmode Transformers

Table 1

Precision Model #	Figure #		A MAX	B MAX	C MAX	D DIA MAX	E MIN	F NOM	G NOM	NUMBER OF PINS
EFDSP15	1	mm	15.40	23.70	7.80	0.70	3.80	3.75	13.75	8
		in	0.606	0.933	0.307	0.028	0.150	0.148	0.541	
EFDSP20	1	mm	21.70	28.70	9.80	0.70	3.80	3.75	17.50	10
		in	0.854	1.130	0.386	0.028	0.150	0.148	0.689	

Table 2

Precision Model #	Figure #		A MAX	B MAX	C MAX	D DIA MAX	E MIN	F NOM	G NOM	NUMBER OF PINS
EFD15	2	mm	15.40	16.70	8.00	1.00	3.60	3.75	13.80	8
		in	0.606	0.657	0.315	0.039	0.142	0.148	0.541	
EFD20	2	mm	21.70	21.60	10.00	1.00	3.60	5.00	17.50	10
		in	0.854	0.850	0.394	0.039	0.142	0.197	0.689	
EFD25	2	mm	27.70	29.10	12.50	1.30	3.60	5.00	22.50	10
		in	1.091	1.146	0.492	0.051	0.142	0.197	0.886	
EFD30	2	mm	32.80	34.10	12.50	1.30	3.60	5.00	27.50	12
		in	1.201	1.343	0.492	0.051	0.142	0.197	1.083	

Table 3

Precision Model #	Figure #		A MAX	B MAX	C MAX	D NOM	E NOM	F NOM	G NOM	NUMBER OF PADS
EFDSP10	3	mm	11.70	19.70	5.70	0.80	1.80	3.00	11.00	8
		in	0.461	0.776	0.224	0.031	0.071	0.118	0.433	
EFDSP12	3	mm	13.70	21.20	6.50	0.80	1.80	3.00	12.50	8
		in	0.539	0.835	0.256	0.031	0.071	0.118	0.492	
EFDSP15	3	mm	15.40	23.70	7.80	1.00	1.80	3.75	15.00	8
		in	0.606	0.933	0.307	0.039	0.071	0.148	0.591	
EFDSP20	3	mm	21.70	28.70	9.80	1.00	1.80	3.75	20.00	10
		in	0.854	1.130	0.386	0.039	0.071	0.148	0.787	

Next step: Talk to us!

Now that you've selected a Precision product for your application, it's time to talk to the Precision team about fine-tuning our product to fit your application needs.

Click here to choose a contact on the web or call 1-800-749-3677.