

CMEH/CMEV Common Mode Chokes

Features:

- Section wound for low capacitance and high self resonant frequency
- Round center bobbin for low DCR
- Horizontal version for low profile; vertical version for small footprint
- One-piece core for highest inductance
- 130° C rating (ambient plus rise)

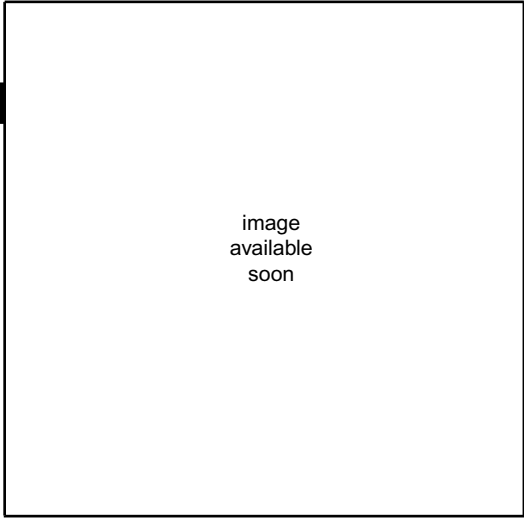


Figure 1

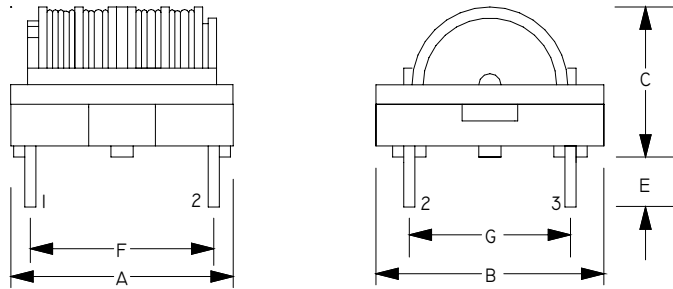
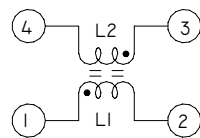
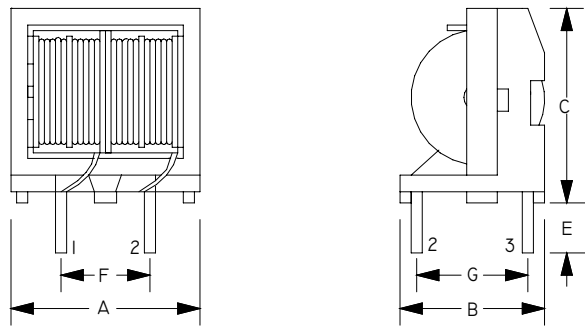
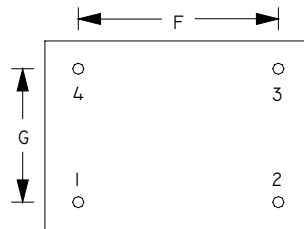


Figure 2



SCHMATIC



PC BOARD LAYOUT
(COMPONENT SIDE)

CMEH/CMEV Common Mode Chokes

Precision Model Number	Figure Number	Data on Page		A MAX	B MAX	C MAX	D NOM	E NOM	F NOM	G NOM
CMEH-26260-xxxx	1	3	mm in	26 1.02	26 1.02	24 .945	0.8 .031	4.0 .157	21 .827	15 .591
CMEH-30300-xxxx	1	3	mm in	30 1.18	30 1.18	25 .984	0.8 .031	4.0 .157	24 .945	20 .787
CMEV-25190-xxxx	2	4	mm in	25 .984	19 .748	32 1.26	0.8 .031	4.0 .157	13.0 .512	10.0 .394
CMEV-30220-xxxx	2	4	mm in	30 1.18	22 .866	35 1.38	0.8 .031	4.0 .157	13.0 .512	10.0 .394
CMEV-36270-xxxx	2	4	mm in	36 1.42	27 1.06	42 1.65	0.8 .031	4.0 .157	21.0 .827	15.0 .591

CMEH Common Mode Chokes

Precision Model Number	Figure Number	Inductance [uH Min.] <i>(note 1)</i>	DC Resistance [Ohms Max] <i>(note 2)</i>	Rated Current [Amps]	Inductance Difference [uH Max]
CMEH-26260-3602	1	36000	2.70	.50	400
CMEH-26260-2402	1	24000	1.60	.60	350
CMEH-26260-9201	1	9200	.75	.70	300
CMEH-26260-7801	1	7800	.50	.90	250
CMEH-26260-5201	1	5200	.34	1.00	200
CMEH-26260-3601	1	3600	.25	1.50	150
CMEH-26260-3201	1	3200	.20	2.00	100

Precision Model Number	Figure Number	Inductance [uH Min.] <i>(note 1)</i>	DC Resistance [Ohms Max] <i>(note 2)</i>	Rated Current [Amps]	Inductance Difference [uH Max]
CMEH-30300-1203	1	120000	2.60	.50	2500
CMEH-30300-9202	1	92000	2.00	.60	2000
CMEH-30300-6602	1	66000	1.50	.70	1500
CMEH-30300-3602	1	36000	.80	.90	1000
CMEH-30300-2502	1	25000	.60	1.00	500
CMEH-30300-1552	1	15500	.32	1.50	350
CMEH-30300-1002	1	10000	.25	2.00	200
CMEH-30300-8001	1	8000	.19	2.50	150
CMEH-30300-5001	1	5000	.10	3.00	100

Note 1: Inductance measured at 1KHz, 0.1 Vrms, each winding measured separately.

Note 2: Each winding measured separately.

CMEV Common Mode Chokes

Precision Model Number	Figure Number	Inductance [uH Min.] <i>(note 1)</i>	DC Resistance [Ohms Max] <i>(note 2)</i>	Rated Current [Amps]	Inductance Difference [uH Max]
CMEV-25190-3602	2	36000	2.70	.50	400
CMEV-25190-2402	2	24000	1.60	.60	350
CMEV-25190-9201	2	9200	.75	.70	300
CMEV-25190-7801	2	7800	.50	.90	250
CMEV-25190-5201	2	5200	.34	1.00	200
CMEV-25190-3601	2	3600	.25	1.50	150
CMEV-25190-3201	2	3200	.20	2.00	100

Precision Model Number	Figure Number	Inductance [uH Min.] <i>(note 1)</i>	DC Resistance [Ohms Max] <i>(note 2)</i>	Rated Current [Amps]	Inductance Difference [uH Max]
CMEV-30220-1203	2	120000	2.60	.50	2500
CMEV-30220-9202	2	92000	2.00	.60	2000
CMEV-30220-6602	2	66000	1.50	.70	1500
CMEV-30220-3602	2	36000	.80	.90	1000
CMEV-30220-2502	2	25000	.60	1.00	500
CMEV-30220-1552	2	15500	.32	1.50	350
CMEV-30220-1002	2	10000	.25	2.00	200
CMEV-30220-8001	2	8000	.19	2.50	150
CMEV-30220-5001	2	5000	.10	3.00	100

Precision Model Number	Figure Number	Inductance [uH Min.] <i>(note 1)</i>	DC Resistance [Ohms Max] <i>(note 2)</i>	Rated Current [Amps]	Inductance Difference [uH Max]
CMEV-36270-3302	2	33000	.50	1.50	1000
CMEV-36270-2202	2	22000	.40	1.80	700
CMEV-36270-1802	2	18000	.30	2.00	500
CMEV-36270-1202	2	12000	.20	2.50	350
CMEV-36270-1002	2	10000	.15	2.70	300
CMEV-36270-8101	2	8100	.12	3.00	250
CMEV-36270-6001	2	6000	.10	3.50	200
CMEV-36270-4701	2	4700	.08	4.00	150

Note 1: Inductance measured at 1KHz, 0.1 Vrms, each winding measured separately.

Note 2: Each winding measured separately.