

CMEE Common Mode Chokes

Features:

- Spacer provided between windings to meet 3mm creepage and clearance for UL, CSA, IEC safety standards
- 130°C rating (ambient plus rise)
- UL94V-0 bobbin
- EE core offers compact volume

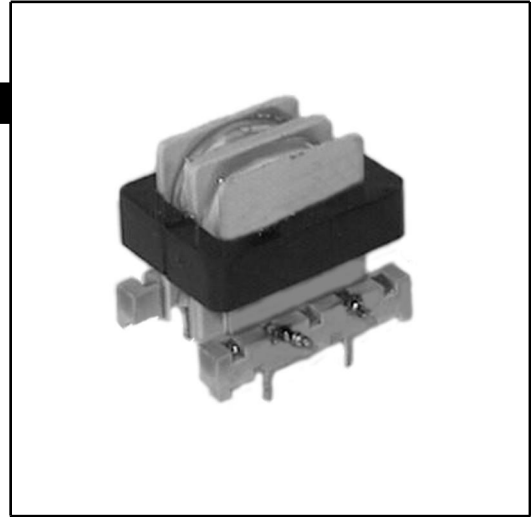


Figure 1

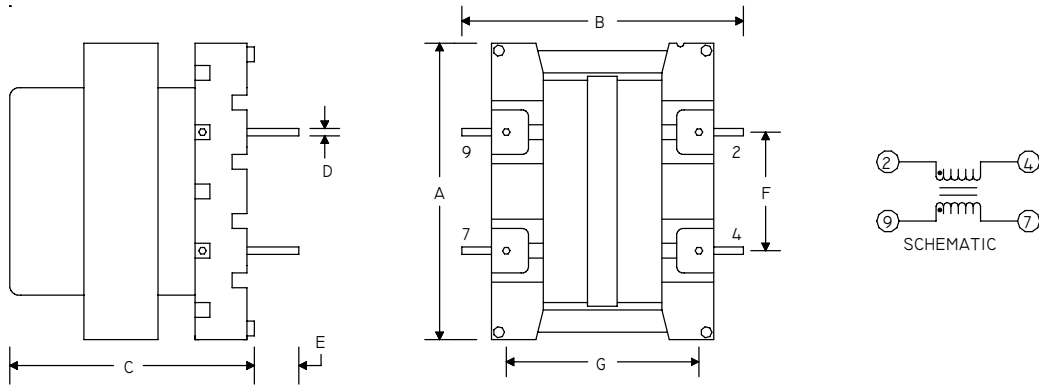
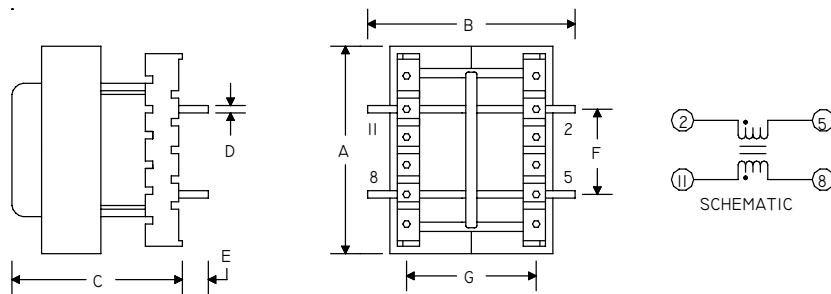


Figure 2



CMEE Common Mode Chokes

| Precision Model Number | Figure Number | Data on Page | | A MAX | B MAX | C MAX | D NOM | E NOM | F NOM | G NOM |
|------------------------|---------------|--------------|----------|---------------|---------------|---------------|--------------|--------------|---------------|---------------|
| CMEE-28280-xxxx | 1 | 3 | mm in | 27.94 1.10 | 27.94 1.10 | 24.13 .950 | .813 .032 | 3.81 .150 | 10.16 .400 | 15.75 .620 |
| CMEE-28281-xxxx | 1 | 3 | mm in | 27.94 1.10 | 27.94 1.10 | 30.48 1.20 | .813 .032 | 3.81 .150 | 10.16 .400 | 15.75 .620 |
| CMEE-37370-xxxx | 2 | 4 | mm in | 36.8 1.45 | 36.48 1.45 | 30.5 1.20 | .813 .032 | 3.81 .150 | 15.24 .600 | 22.23 .875 |
| CMEE-46420-xxxx | 2 | 4 | mm in | 45.7 1.80 | 41.9 1.65 | 33.0 1.30 | 1.30 .051 | 3.81 .150 | 22.86 .900 | 25.40 1.00 |

Note 1. Other vertical sizes available upon request.

Note 2. Horizontal version of all sizes available on request.

Note 3. CMTV 32160-4250 pin diameter is 1.02mm/.040in.

Note 4. CMTV 36230-1101 pin diameter is 1.02mm/.040in.

CMEE Common Mode Chokes

| Precision Model Number | Figure Number | Inductance [uH Min.] <i>(note 1)</i> | DC Resistance [Ohms Max.] <i>(note 2)</i> | Rated Current [Amps] |
|------------------------|---------------|---|--|----------------------|
| CMEE-28280-9901 | 1 | 9900 | .980 | .500 |
| CMEE-28280-3901 | 1 | 3900 | .390 | .750 |
| CMEE-28280-2901 | 1 | 2900 | .270 | 1.00 |
| CMEE-28280-2101 | 1 | 2100 | .190 | 1.25 |
| CMEE-28280-1101 | 1 | 1100 | .105 | 1.50 |
| CMEE-28280-7310 | 1 | 731 | .069 | 2.00 |
| CMEE-28280-4680 | 1 | 468 | .044 | 2.50 |
| CMEE-28280-2990 | 1 | 299 | .029 | 3.00 |
| CMEE-28280-1680 | 1 | 168 | .016 | 4.00 |

| Precision Model Number | Figure Number | Inductance [uH Min.] <i>(note 1)</i> | DC Resistance [Ohms Max.] <i>(note 2)</i> | Rated Current [Amps] |
|------------------------|---------------|---|--|----------------------|
| CMEE-28281-1682 | 1 | 16800 | 1.26 | .500 |
| CMEE-28281-6601 | 1 | 6600 | .500 | .750 |
| CMEE-28281-4901 | 1 | 4900 | .350 | 1.00 |
| CMEE-28281-3601 | 1 | 3600 | .230 | 1.25 |
| CMEE-28281-1871 | 1 | 1870 | .130 | 1.50 |
| CMEE-28281-1241 | 1 | 1240 | .087 | 2.00 |
| CMEE-28281-7960 | 1 | 796 | .055 | 2.50 |
| CMEE-28281-5080 | 1 | 508 | .037 | 3.00 |
| CMEE-28281-2860 | 1 | 286 | .022 | 4.00 |

Note 1: Inductance measured at 1KHz, 0.1 Vrms, each winding measured separately.

Note 2: Each winding measured separately.

CMEE Common Mode Chokes

| Precision Model Number | Figure Number | Inductance [uH Min.] <i>(note 1)</i> | DC Resistance [Ohms Max.] <i>(note 2)</i> | Rated Current [Amps] | Self-Resonant Frequency [KHz Min.] |
|------------------------|---------------|---|--|----------------------|------------------------------------|
| CMEE-37370-8202 | 2 | 82000 | 3.1 | .500 | 65 |
| CMEE-37370-3404 | 2 | 34000 | 1.3 | .750 | 100 |
| CMEE-37370-2404 | 2 | 24000 | .86 | 1.00 | 129 |
| CMEE-37370-1502 | 2 | 15000 | .54 | 1.25 | 170 |
| CMEE-37370-7501 | 2 | 7500 | .30 | 1.50 | 206 |
| CMEE-37370-6001 | 2 | 6000 | .22 | 2.00 | 230 |
| CMEE-37370-3301 | 2 | 3300 | .12 | 2.50 | 309 |
| CMEE-37370-1601 | 2 | 1600 | .07 | 3.00 | 420 |
| CMEE-37370-1101 | 2 | 1100 | .04 | 4.00 | 560 |

| Precision Model Number | Figure Number | Inductance [uH Min.] <i>(note 1)</i> | DC Resistance [Ohms Max.] <i>(note 2)</i> | Rated Current [Amps] | Self-Resonant Frequency [KHz Min.] |
|------------------------|---------------|---|--|----------------------|------------------------------------|
| CMEE-46420-5602 | 2 | 56000 | 1.1 | 1.00 | 62 |
| CMEE-46420-3404 | 2 | 34000 | .72 | 1.25 | 96 |
| CMEE-46420-2302 | 2 | 23000 | .47 | 1.50 | 104 |
| CMEE-46420-2002 | 2 | 20000 | .35 | 2.00 | 128 |
| CMEE-46420-7301 | 2 | 7300 | .16 | 2.50 | 190 |
| CMEE-46420-5301 | 2 | 5300 | .12 | 3.00 | 220 |
| CMEE-46420-4001 | 2 | 4000 | .08 | 4.00 | 275 |
| CMEE-46420-2001 | 2 | 2000 | .05 | 5.00 | 370 |
| CMEE-46420-9500 | 2 | 950 | .03 | 6.00 | 556 |
| CMEE-46420-7500 | 2 | 750 | .02 | 8.00 | 640 |

Note 1: Inductance measured at 1KHz, 0.1 Vrms, each winding measured separately.

Note 2: Each winding measured separately.