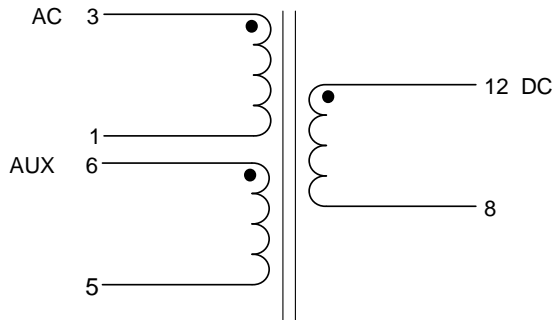


- 200W Ripple Free Input Current PFC Inductor
- Designed for ST Micro® EVL6563S-200ZRC (AN3180)
- Aux winding location optimized for coupling and manufacturability

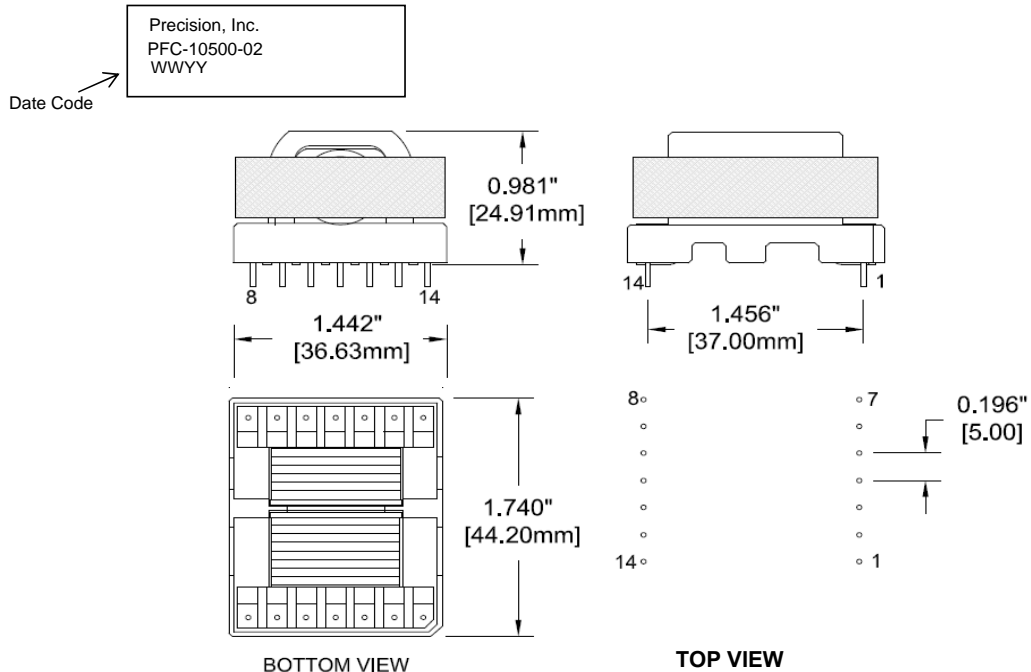


Electrical Specifications @ 25°C unless noted otherwise			
Parameters	Value		Notes
Inductance (μH)	237.5-262.5	3-1 @ 0.1V, 100kHz,	
Leakage Inductance (μH)	229-281	12-8 tie 1+3 @ 0.1V, 20kHz	
DC Resistance (Ω)	0.113 Max.	3-1	
DC Resistance (Ω)	0.180 Max.	12-8	
DC Resistance (Ω)	0.136 Max.	6-5	
Dielectric (VAC)	3600	3,6-12 @ 1mA, 60Hz, 1s	
Dielectric (VAC)	1800	12-Core @ 1mA, 60Hz, 1s	
Dielectric (VAC)	1800	3,6- Core @ 1mA, 60Hz, 1s	

Schematics



Mechanicals



Specifications subject to change without notice.
Dimensions are in inches, metric in [].
Label shown is only for illustrative purposes only.