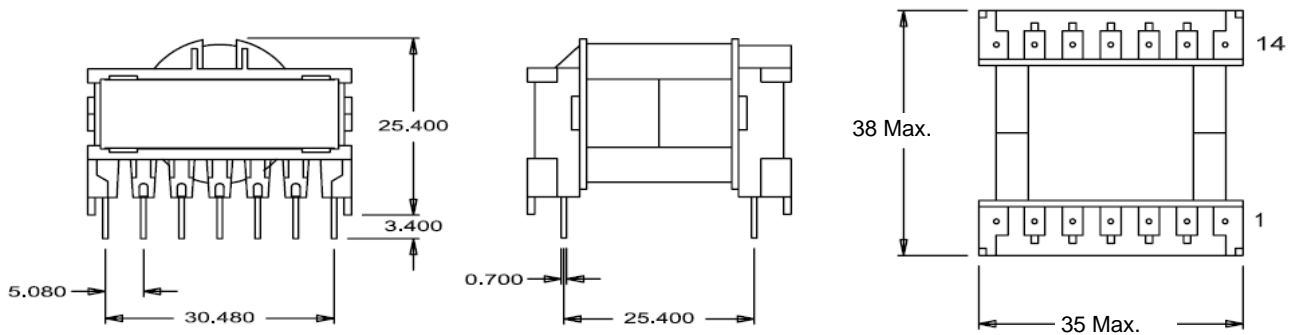
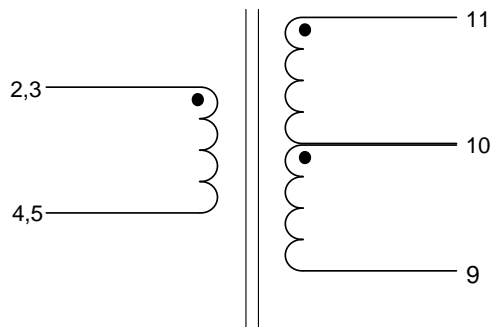


- Transformer, ETD29

**Electrical Specifications at +20°C unless noted otherwise**

Parameters	Value	Notes
Inductance (μH)	55 Min	(2,3) - (4,5) 10 kHz, .1 V
DCR (mΩ)	5.2 Max	(2,3) - (4,5)
DCR (mΩ)	5.2 Max	9-11
Leakage Ind (μH)	2 Max	(2,3) - (4,5), short 11,10,9 @ 100 kHz, .1V
Dielectric Strength	1500 Vac	2,3 - 11,10,9



Specifications subject to change without notice.  
Dimensions are in metric.  
Pin 1 indicated by dot on label or part.  
Label shown is only for illustrative purposes only.

