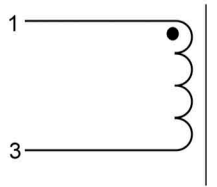


- Notes No Load Inductance 740 uHy minimum
- Notes Full Load Temperature Rise 35 Deg C
- Notes Maximum Continuous Current 3.8 Arms

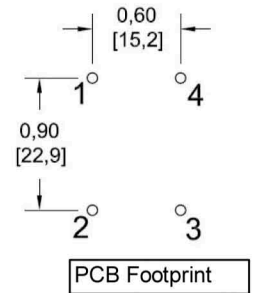
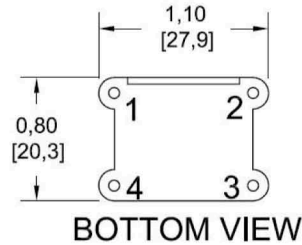
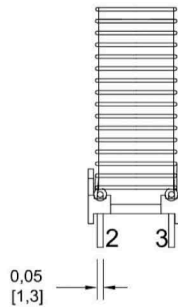
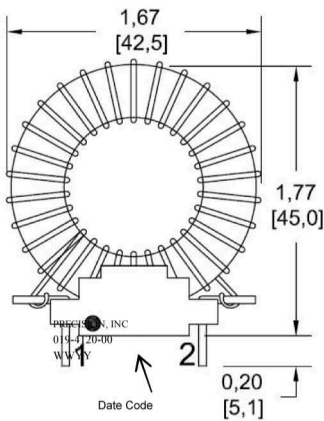
Electrical Specifications at +20°C unless noted otherwise

Parameters	Value	Notes
Inductance (µH)	450-550	1-3 @ 0.10V, 10kHz, 5.5A
DC Resistance (Ω)	0.27 Max.	1-3

Schematics



Mechanicals



Specifications subject to change without notice.
Dimensions are in inches, metric in [].
Label shown is only for illustrative purposes only.

