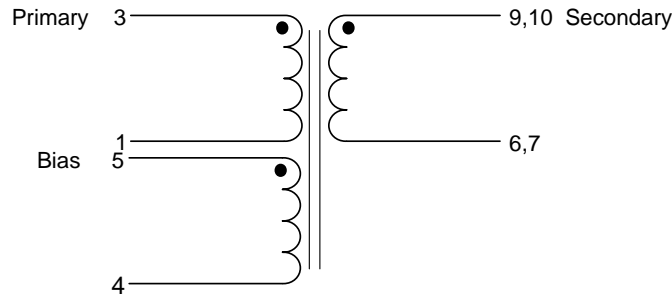


- Transformer for Power Integrations EPR-34 (TOP245Y)
- Universal Input Voltage
- 30W, 12V output

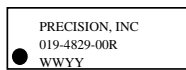
**Electrical Specifications at +20°C unless noted otherwise**

Parameters	Value	Notes
Inductance (mH)	.827 ± 10%	(3-1) @ 100 KHz, 0.4V
Leakage Inductance (µH)	20 Max	(1-2), short (7+6)
DCR (mΩ)	TBD	(3-4)
DCR (mΩ)	TBD	(5-4)
DCR (mΩ)	TBD	(9,10) - (6,7)
SRF (KHz)	750 Min.	(3-1)
HIPOT (VAC)	3000	(3-1) @ 60 Hz for 1s

**Schematics**

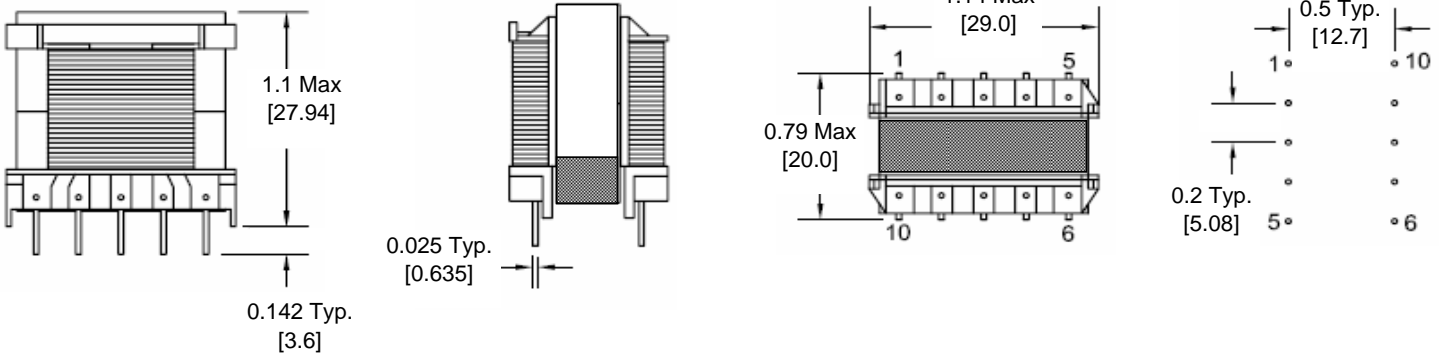


Label is located on top of the part



Date Code

**Mechanicals**



Specifications subject to change without notice.  
Dimensions are in inches, metric in [ ].  
Pin 1 indicated by dot on label or part.  
Label shown is only for illustrative purposes only.

