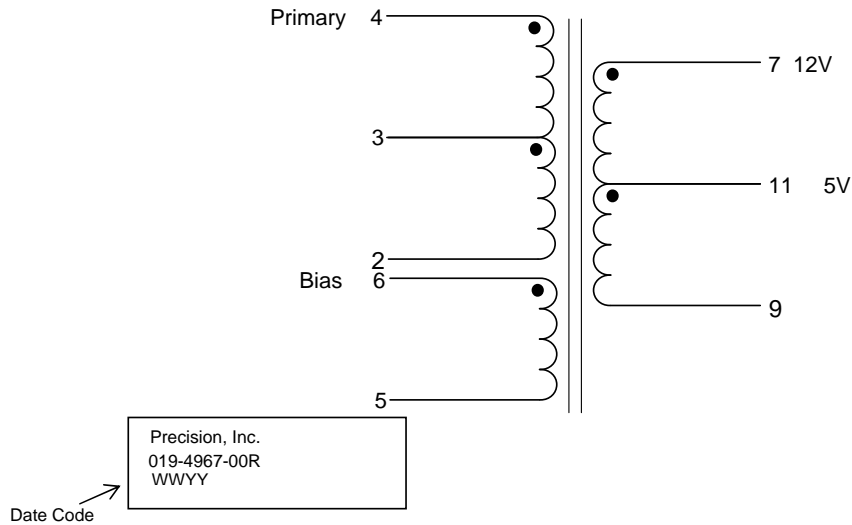


- Designed for Power Integrations® RDR-142
- Input Voltage: 90 VAC - 265 VAC
- Output Voltage: 5V/2.2A; 12V/2A

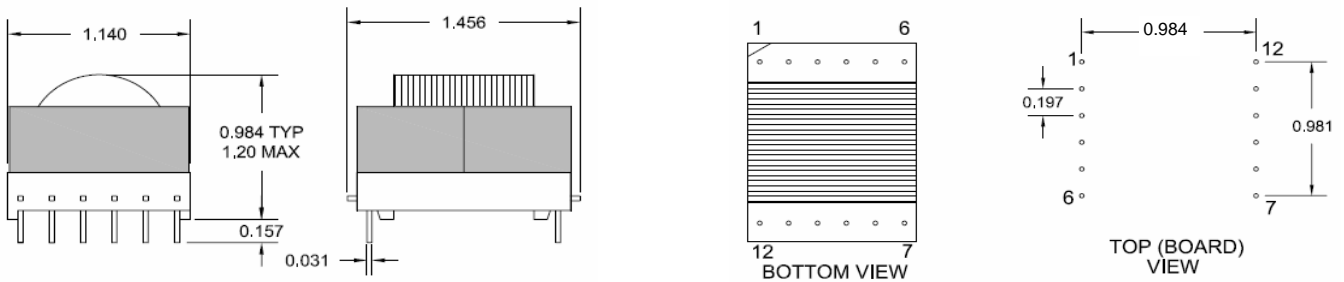


Electrical Specifications @ 25°C unless noted otherwise		
Parameters	Value	Notes
Inductance (μH)	936-1144	4-2 @ 0.4V, 100kHz,
Leakage Inductance (μH)	20 Max.	4-2 tie 7+9+11+5+6 @ 0.4V, 100kHz
Dielectric (VAC)	3000	(2,3,4,5,6,) - (7,9,11) @ 1mA, 60Hz, 1s

Schematics



Mechanicals



Specifications subject to change without notice.
Dimensions are in inches, metric in [].
Label shown is only for illustrative purposes only.